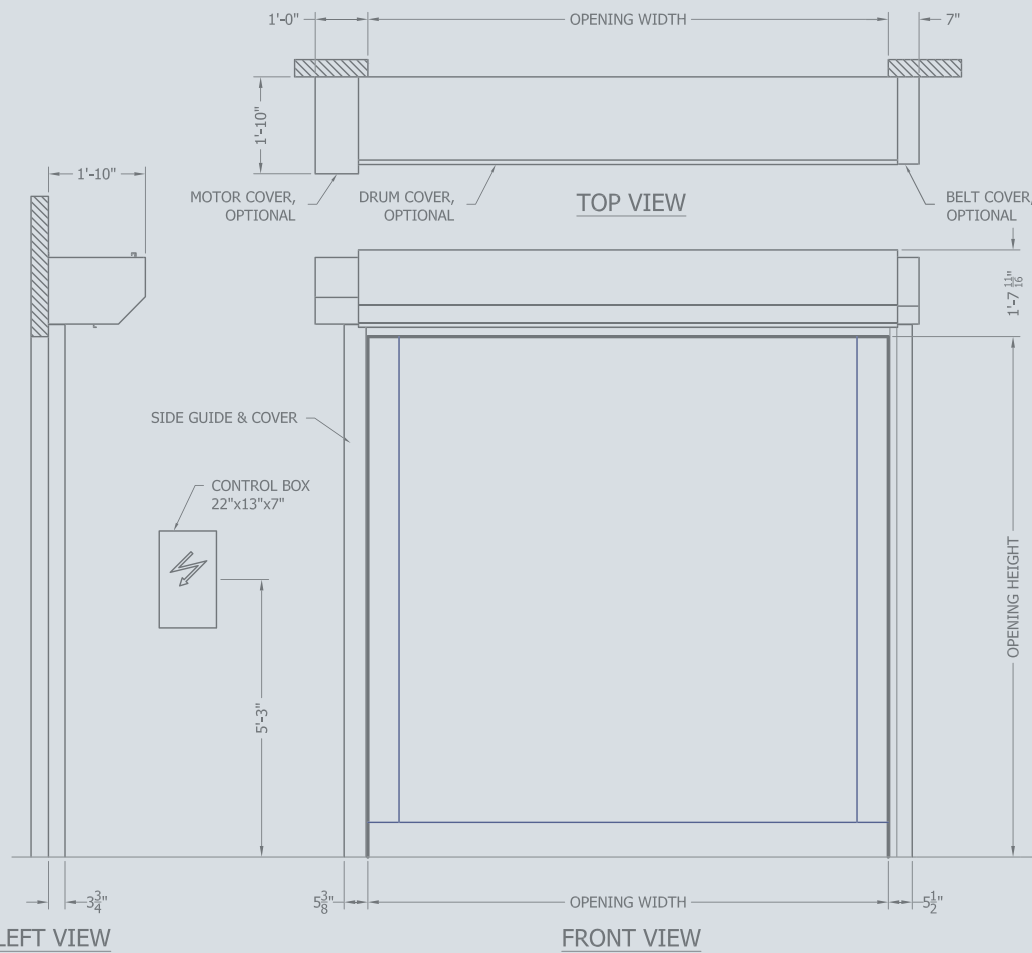




Dimensions and installation requirements  
DYNACO POWER M2 HIGH PERFORMANCE DOOR



All indicated dimensions are net: the space necessary for mounting and maintenance has to be provided.  
 REMARK: based on the risk analysis of the environment, extra push buttons, detectors and covers might be required.



Entrematic offers a comprehensive range of products for industrial, commercial, institutional and residential applications, including sectional doors, loading dock equipment, high-performance doors, residential garage doors, pedestrian door automation and openers. Built on nearly 200 years of accumulated expertise, Entrematic is the preferred partner of distributors and the number one choice of end user customers, providing innovative products, technical expertise and a portfolio of industry-leading brands including Amarr, Kelley, Serco, Dynaco and Ditec. Entrematic, Amarr, Kelly, Serco, Normstahl, Dynaco, Ditec and EM, as words and logotypes, are examples of trademarks owned by Entrematic Group AB or companies within the Entrematic Group.

© Entrematic Group AB, 2015

The Dynaco products are protected by worldwide registered patents. As part of its policy of continuous product development, Entrematic reserves the right to change the characteristics of its products or components without prior notice.  
 Disclaimers: For a correct use of our products, please refer to our manual. Everything that is mentioned in this brochure is only valid under the terms of use in the user manual and on condition that the door was properly installed and maintained and has not undergone abuse nor neglect.

**DYNACO POWER M2  
HIGH PERFORMANCE DOOR**

**Push-Pull**  
gear driven technology

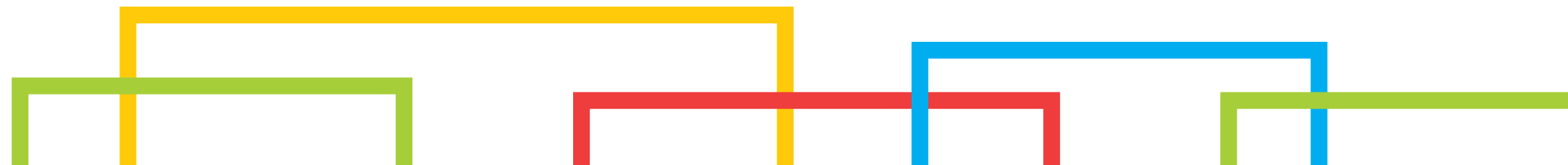


**exterior door**

**ENTRE//MATIC USA**  
 935 Campus Drive Mundelein IL 60060  
 P: 1-800-459-1930  
 P: 1-847-562-4910  
 F: 1-800-459-1960  
 Email: [dynaco@dynacodoor.us](mailto:dynaco@dynacodoor.us)  
[www.dynacodoor.us](http://www.dynacodoor.us)

**ENTRE//MATIC**

[www.dynacodoor.us](http://www.dynacodoor.us)



# DYNACO POWER M2 HIGH PERFORMANCE DOOR

Designed for interior and exterior applications to 324 ft<sup>2</sup>, DYNACO Power M2 doors provide reliable environmental control while increasing productivity and safety. The door is designed to guard against the harshest environmental conditions thus preventing the infiltration of dirt, contaminants, snow, rain, and wind.

Incorporating patented “Push Pull” gear drive technology, the Power M2 operates at higher open and close speed than gravity doors, therefore providing better environment control and energy conservation. Further, the door operates and resists wind and pressure without the need for weighted or rigid components, reducing maintenance and increasing safety.

- DOOR OPERATION**  
Gear driven “Push-Pull” system positively drives the curtain both directions, eliminating maintenance and damage prone tension systems, wind stiffeners and bottom bars.
- HIGH WIND LOAD RESISTANCE AND OPERATION**  
Patented “Push Pull” drive locks are attached to the end of the curtain material and run continuously along the full height of the door, providing operation in pressures up to 95 mph. (refer to specifications for additional information)
- SAFETY ENGINEERED**  
Each door panel comes standard with a unique soft curtain, which prevents many hard edge accidents. No stiffeners or rigid bottom bars to injure workers or damage equipment. A wireless reversing edge and built-in infrared sensors protect against 4 different types of accidents.
- DRIVE UNIT AND CONTROL**  
IP65 rated direct drive unit utilizes soft start/stop technology, absolute encoder and dynamic braking. Maintenance prone limit switches and mechanical brakes are eliminated. A state of the art DYNALOGIX controller is user friendly and provides self diagnostic and programming functions. a view window in the NEMA 4 enclosure lets you read door status on the multi character LCD screen. A rotary disconnect, push button and E-stop are standard.
- HIGH SPEED OPERATION**  
Depending on door size operation speeds up to 96” per second opening and standard 48” per second close provide energy savings, environmental control and workflow productivity.
- WARRANTY**  
DYNACO’s Power Series include an industry leading 5 year limited cycle warranty on the drive motor and 5 years on manufacturers defects. One year on balance of components.

**Push-Pull**  
gear driven technology



exterior door

## TECHNICAL SPECIFICATIONS

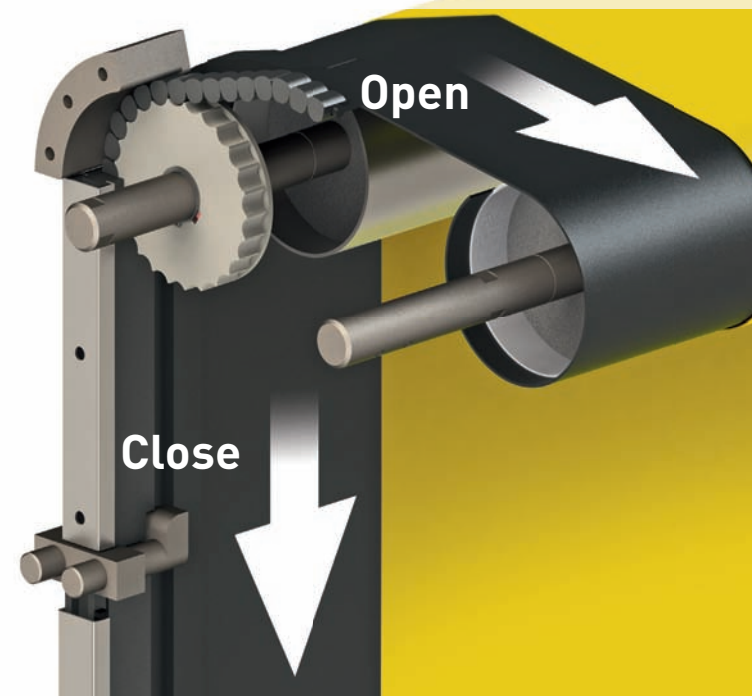
<b>Door Dimensions</b>	Minimum: 6' W x 6' H Maximum: 18'W x 18'H
<b>Operating Speed</b>	Up to 96” per second open Up to 48” per second closing
<b>Safety Features</b>	Wireless reversing edge and built-in infrared sensors. No coil cords.
<b>Door Panel</b>	27oz reinforced PVC vinyl with your choice of color and vision. DYNALUMIN daylight fabric available.
<b>Wind Resistance</b>	Applications to 324 ft <sup>2</sup> resist static pressure of 14.62psf. Smaller doors have greater pressure resistance.

## TECHNICAL SPECIFICATIONS

<b>Door Components</b>	Direct Drive Unit. Side frames constructed of structural galvanized steel channels of 3 1/8” x 1 9/16” x 1/8”. Inner guides in polyethylene (PE-UHMW 1000).
<b>Control and Drive System</b>	UL approved control system housed in NEMA 4 enclosure. DYNALOGIX II controller with variable frequency drive and high resolution encoder. Voltage: 208-240VAC, 480 VAC, 575VAC. Motor 2 HP 60 Hz. Protection degree NEMA 4.
<b>Optional Egress Safety Systems</b>	Code compliant egress systems or battery backup available.



“PUSH-PULL” Drive Technology



Side guide and M2 drive zipper

