

GRAVITY

driven technology

interior door

HIGH SPEED OPERATION

Up to 50 in/s, depending on the size.
Closing speed up to 24 in/s.

SAFETY ENGINEERED

Each door panel comes standard with a unique soft bottom, which prevents many hard edge accidents. A wireless reversing edge and built-in infrared sensors against 4 different types of accidents.

MULTI-COMPOSITE STRUCTURE

The side-guides and header assembly (shaft, end-brackets and covers) are all made of ultra-strong, smooth surfaced and non-corrosive multi-composite material.

VARIABLE FREQUENCY DRIVE

A VFD enables softer starts and stops, putting less stress on the whole system. Less wear and tear on your door leads to a longer operational life.

USER-FRIENDLY CONTROL

A state of the art DYNALOGIX controller provides self-diagnostic and programming functions. A push button and emergency stop are standard.

SELF-REINSERTING WITHOUT INTERVENTION

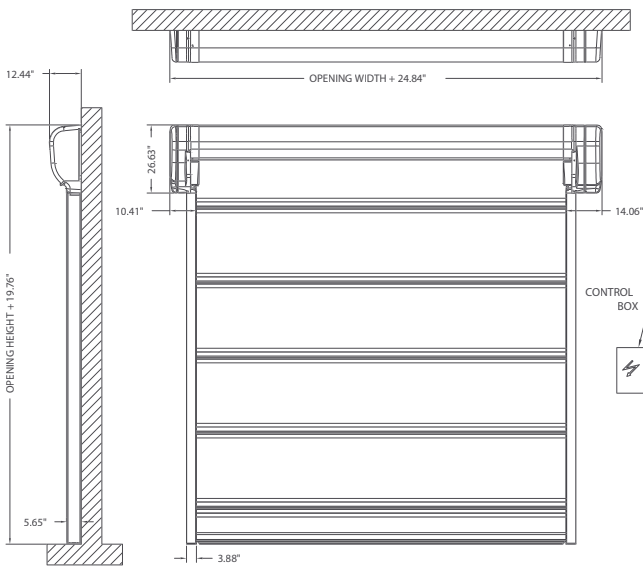
The curtain automatically reinserts itself when dislodged. No manual intervention, or production downtime.



DYNACO N-211 TekRoll

High Performance Door

Dimensions and installation requirements



TECHNICAL SPECIFICATIONS

Door Dimensions	Max. 14 ft W x 15 ft H
Operating Speed (depending on door size)	Up to 50 in/s open. 24 in/s closing.
Safety features	Soft bottom edge design. Wireless reversing edge and built-in infrared sensor. No coil cords.
Window Options	1 row, 2 rows or max-vision.
Door Panel	27oz reinforced PVC vinyl with choice of color and vision. Stiffeners every 30" (every 20" optional for greater wind resistance).
Structure	Patented multi-composite structure (side guides, bearing / motor brackets, rolling rod, full composite drum cover).
WashDown option	A Wash-Down option makes the whole structure accessible for high pressure washing. The wash drum allows for high pressure cleaning of the rolling barrel.
Additional Sealing option	Optional sealing kits limit the air leakage rate for a controlled room environment up to 40 Pa.
Motor	IP65 rated direct drive unit utilizes soft start/stop technology, absolute encoder and dynamic braking.
Control box	UL approved industrial control panel housed in NEMA 4X enclosure. DYNALOGIX controller with variable frequency drive and high resolution encoder.
Power supply Frequency	3 Phase motor options: 208v /230v /460v /575v - 60Hz. Optional: single-phase 110v /208v /230v - 60 Hz.

Door specifications and technical data subject to change without notice.

Founded in 1987, the Dynaco brand has a strong heritage and a wealth of expertise in high performance doors. Dynaco is committed to achieving excellence in quality and performance through a certified and dedicated network of partners, providing outstanding service to our customers.

Dynaco is part of Entrematic—the home to some of the world's most innovative and leading brands within the entrance automation industry. The comprehensive range of product brands include Amarr, Kelley, Serco, Dynaco, Ditec and Albany.

Entrematic and Dynaco as words and logos are trademarks owned by Entrematic Group AB or companies within the Entrematic Group.

© Entrematic Group AB, 2020. All rights reserved.



ENTREMATIC HPD

935 Campus Drive Mundelein IL 60060

P: 1-800-459-1930 or 1-847-562-4910

F: 1-800-459-1960 or 1-847-562-4917

Email: info@dynacodoor.us

www.dynacodoor.us

DYNACO N-211 TekRoll High Performance Door

Designed for interior applications, the DYNACO N-211 TekRoll door is a safe and reliable high speed, high cycle door.

Constructed of a patented multi-composite material, the N-211 structure is produced without mechanical welding and is wear-resistant without paint, resulting in 45% improved corrosion resistance compared to 316L stainless steel.

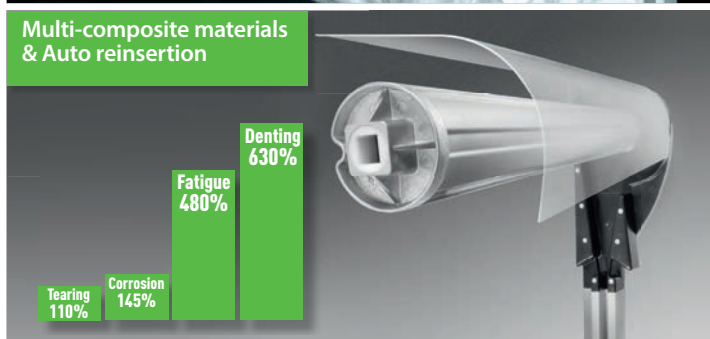
Beyond general industrial applications, a Wash-Down Mode option can be added, making the N-211 ideal for food processing environments. While the standard door has smooth, easy to clean surfaces, the Wash-Down mode makes the entire rolling drum accessible for pressure washing.

Additional sealing kits optimize the door for clean environments with enhanced sealing to limit air leakage for room operating pressures up to 40 Pa. The N-211 combines pressure resistance, full access for aseptic cleaning and minimum opening time to reduce sanitary risks.

Safety intelligent curtain



Multi-composite materials & Auto reinsertion



Safety soft bottom protecting products

