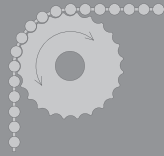


PUSH-PULL gear driven technology

exterior door



ULTRA HIGH SPEED OPERATION

Up to 142 in./s, depending on the size.
Closing speed 48 in./s

SAFETY ENGINEERED

Each door panel comes standard with a unique soft bottom bag, which prevents many hard edge accidents. No stiffeners or rigid bottom bars to injure workers or damage equipment. A wireless reversing edge and built-in infrared sensors protect against the 4 different types of accidents.

PATENTED PUSH-PULL TECHNOLOGY

Gear driven Push-Pull system positively drives the curtain in both directions, eliminating maintenance and damage prone tension systems, wind stiffeners and bottom bars.

SUPERIOR SEAL, WIND RESISTANT

Side frame assembly with inner guide eliminates the need for weather seals or brush systems. Up to wind load class 4. (20.88 lbs/sqf. or 90 mph)

CRASH FORGIVING AND SELF-REINSERTING WITHOUT INTERVENTION

The curtain automatically reinserts itself when dislodged. No manual intervention, or production downtime.

ADVANCED DRIVE

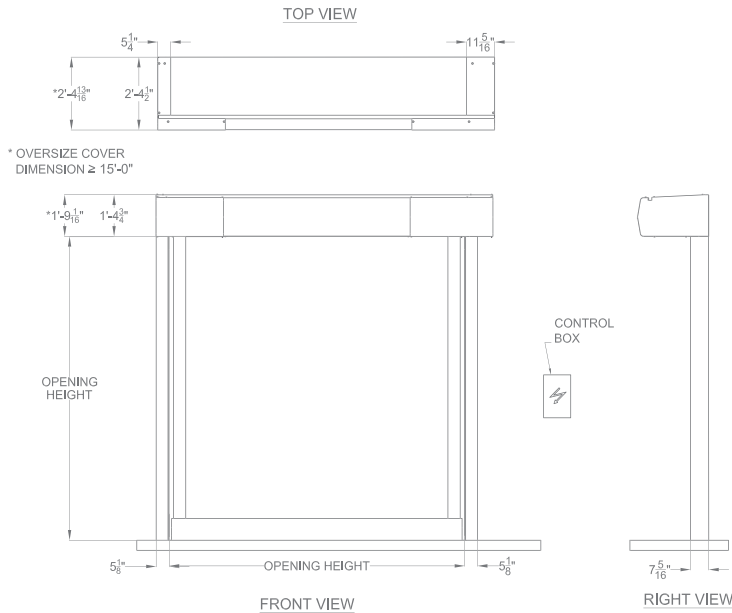
Frequency driven motor and encoder for smooth operation. Wearable elements are reduced to a minimum.

DYNALOGIX 5 TOUCHSCREEN CONTROLLER

User-friendly control box makes for easy set-up and rapid diagnosis of door status. Timers and counters will alert when maintenance is due.

DYNACO **D-641 Power** High Performance Door

Dimensions and installation requirements



TECHNICAL SPECIFICATIONS

Door Dimensions	Min. W 3 ft x H 4 ft Max. W 18 ft x H 18 ft
Operating Speed (depending on door size)	Up to 142 in/s open 48 in/s closing
Safety features	Soft bottom edge design. Wireless reversing edge and built-in infrared sensor. No coil cords.
Structure	Galvanized steel: 3.9" x 1.57" x 0.118". Option: stainless steel.
Drum	Steel 1 drum $\varnothing 5\text{-}1/2'' \times 0.118''$ + 1 drum $\varnothing 4\text{-}1/100'' \times 2/25''$
Side guides	Reinforced polyethylene (PE- UHMW1000) on springs. Lower 12" of side guides reinforced.
Motor	4 poles, without brake. Power 1,5 kW IP rating: IP 65
Control box	DYNALOGIX 5 Touchscreen controller. provided with: circuit breaker, general divider, adjustable timer, push button for opening and reset and emergency stop. IP rating: IP 54. Frequency inverter.
Standard detectors	Infrared barrier: 12" from the floor. Wireless DYNACO detector (WDD).
Power supply Frequency	Single phase 230V - 18 A Frequency: 50-60 Hz
Temperature range	5° F up to 122° F (not for freezer applications)

Door specifications and technical data subject to change without notice.

Founded in 1987, the Dynaco brand has a strong heritage and a wealth of expertise in high performance doors. Dynaco is committed to achieving excellence in quality and performance through a certified and dedicated network of partners, providing outstanding service to our customers.

© ASSA ABLÖY. All rights reserved. Technical data subject to change without notice. Part of ASSA ABLÖY.



935 Campus Drive Mundelein IL 60060
P: 1-800-459-1930 or 1-847-562-4910
F: 1-800-459-1960 or 1-847-562-4917
Email: info@dynacodoor.us
www.dynacodoor.us

DYNACO D-641 Power High Performance Door

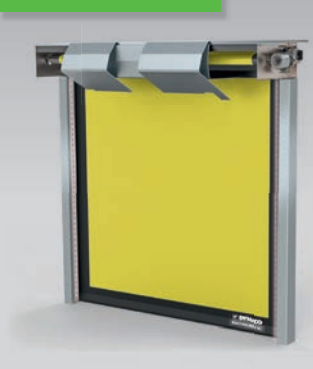
The perfect door for medium sized outside applications with highly intensive use.

The near perfect perimeter seal of this door provides environmental control and savings on energy costs. This sealing feature is also protecting your environment against wind, rain, snow, dirt and extreme temperatures while enhancing employee comfort.

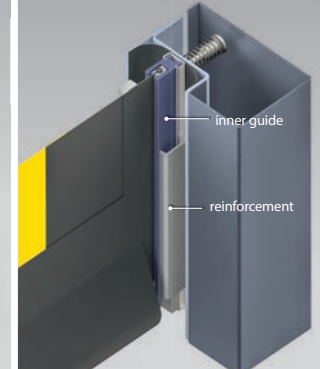
The special design of the driving system and reintroduction block reduce operating noise, creating a quieter environment. Its fast operating speed improves traffic flow within the area while the small footprint takes up minimal space leaving more valuable wall and floor space for your core business.

The DYNACO D-641 Power will automatically reinsert itself in its side guides should the curtain be accidentally hit.

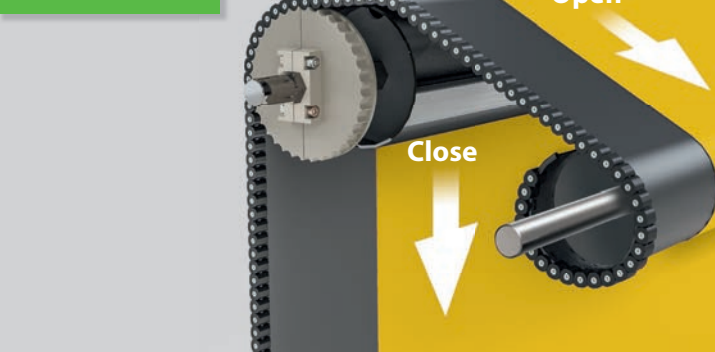
Movable hood panels for easy maintenance



Side reinforcement



"PUSH-PULL^{PT}" drive technology



Side guide and lateral driving belt



1. Curtain
2. Polyethylene inner guide
3. Lateral driving strap
4. Sealing flap
5. Spring
6. Structural steel U channel