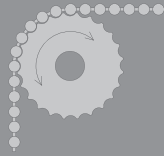


## **PUSH-PULL** gear driven technology

exterior door



### **ULTRA HIGH SPEED OPERATION**

Up to 142 in/s depending on the size.  
Closing speed 48 in/s

### **SAFETY ENGINEERED**

Each door panel comes standard with a unique soft bottom bag, which prevents many hard edge accidents. No stiffeners or rigid bottom bars to injure workers or damage equipment. A wireless reversing edge and built-in infrared sensors protect against 4 different types of accidents.

### **PATENTED PUSH-PULL TECHNOLOGY**

Gear driven Push-Pull system positively drives the curtain both directions, eliminating maintenance and damage prone tension systems, wind stiffeners and bottom bars.

### **SUPERIOR SEAL, WIND RESISTANT**

Patented side frame assembly with inner guide eliminates the need for weather seals or brush systems. Up to wind load class 5 (41.77 lbs/sqft., or 128 mph).

### **CRASH FORGIVING AND SELF-REINSERTING WITHOUT INTERVENTION**

The curtain automatically reinserts itself when dislodged. No manual intervention, or production down time.

### **ADVANCED DRIVE**

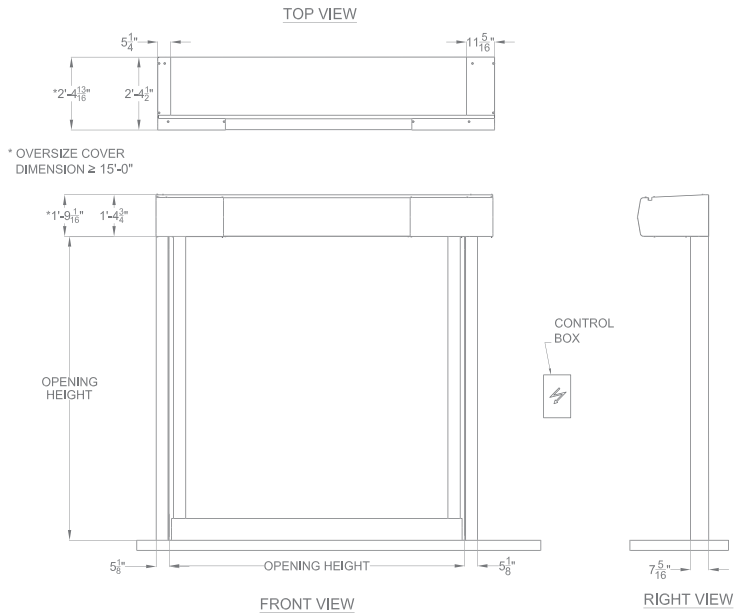
Frequency driven motor and encoder for smooth operation. Wearable elements are reduced to a minimum.

### **DYNALOGIX 5 CONTROL BOX**

User-friendly control box with touchscreen interface assists users, installers and service technicians. Timers and counters will alert when maintenance is due.

# **DYNACO D-651** **All Weather** High Performance Door

## Dimensions and installation requirements



### TECHNICAL SPECIFICATIONS

<b>Door Dimensions</b>	Min. W 3ft x H 4ft Max. W 18ft x H 18ft
<b>Operating Speed (depending on door size)</b>	Up to 142 in/s open 48 in/s closing
<b>Safety features</b>	Soft bottom edge design. Wireless reversing edge and built-in infrared sensor. No coil cords.
<b>Structure</b>	Galvanized steel: 3.9"x1.57"x0.118" Option: Stainless steel
<b>Door panel</b>	Reinforced PVC (27 oz/sq.yd). Available in different colors and provided with side sealing zippers.
<b>Drum</b>	Steel 1 drum $\varnothing 5\text{-}1/2'' \times 0.118''$ + 1 drum $\varnothing 4\text{-}1/100'' \times 2/25''$
<b>Side guides</b>	Reinforced polyethylene (PE-UHMW1000), with springs. Side guides reinforced over the total height.
<b>Motor</b>	4 poles, without brake. Power: 1.5kW. IP rating: IP65.
<b>Control box</b>	DYNALOGIX 5 provided with: Circuit breaker, general divider, adjustable timer, push button for opening and reset, emergency stop. IP rating: IP54, frequency inverter.
<b>Standard detectors</b>	Infrared barrier: 12 in. from the floor. Wireless DYNACO detector (WDD)
<b>Power supply Frequency</b>	Single phase 230V – 18A Frequency: 50-60Hz

Founded in 1987, the Dynaco brand has a strong heritage and a wealth of expertise in high performance doors. Dynaco is committed to achieving excellence in quality and performance through a certified and dedicated network of partners, providing outstanding service to our customers. Dynaco offers a comprehensive range of products for industrial, commercial, and institutional applications. Built on nearly 200 years of accumulated expertise, Dynaco is the preferred partner of distributors and the number one choice of end user customers, providing innovative products, technical expertise and a portfolio of industry-leading brands.

The Dynaco products are protected by worldwide registered patents. As part of its policy of continuous product development, Dynaco reserves the right to change the characteristics of its products or components without prior notice. Disclaimers: For a correct use of our products, please refer to our manual. Everything that is mentioned in this brochure is only valid under the terms of use in the user manual and on condition that the door was properly installed and maintained and has not undergone abuse nor neglect.

© ASSA ABLOY. All rights reserved. Technical data subject to change without notice.  
Part of ASSA ABLOY.



935 Campus Drive Mundelein IL 60060  
P: 1-800-459-1930 or 1-847-562-4910  
F: 1-800-459-1960 or 1-847-562-4917  
Email: info@dynacodoor.us  
www.dynacodoor.us

# DYNACO D-651 All Weather

## High Performance Door

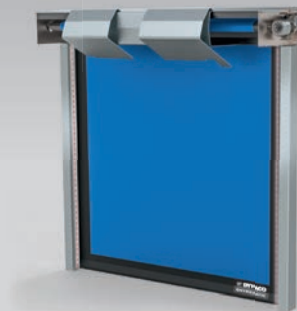
A door specifically designed for medium sized outside applications with highly intensive use and subjected to exorbitant wind loads.

Operating speed and near perfect perimeter seal improve traffic and improve employee comfort within the area. Protecting your environment against high wind, dirt and extreme temperatures boosts environmental control and saves on energy cost.

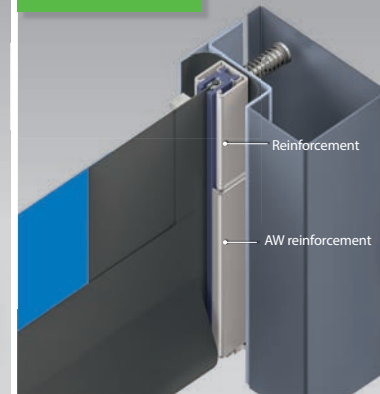
Easy installation and maintenance reduce cost of ownership, while the small footprint allows for maximum use of available space. The distinct design of our driving system and reintroduction block diminish operating noise, creating a quieter environment.

The DYNACO D-651 All Weather will automatically reinsert itself in its side guides should the curtain be accidentally hit.

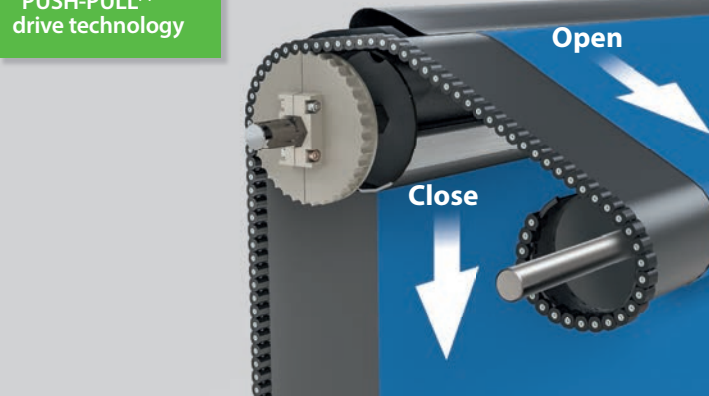
### Movable hood panels for easy maintenance



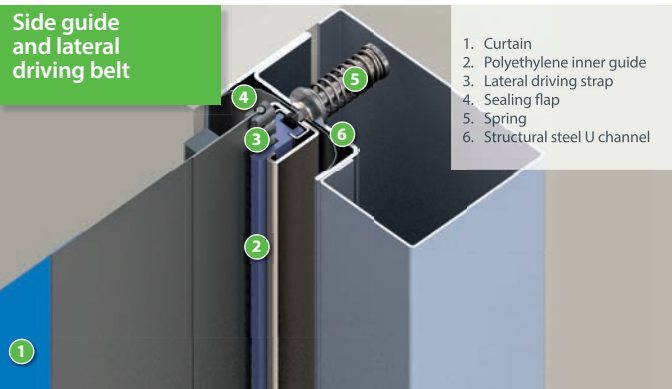
### Side reinforcement



### "PUSH-PULL"™ drive technology



### Side guide and lateral driving belt



1. Curtain
2. Polyethylene inner guide
3. Lateral driving strap
4. Sealing flap
5. Spring
6. Structural steel U channel