



ENTRE//MATIC



Dynaco S-631

Rigid Door

DiscDrive
Disc driven technology



inside & outside door

www.dynacodoor.us

Dynaco S-631

The Dynaco S-631 is a fast aluminum door that enhances security by minimizing downtime. Its high-strength panels are designed to be quickly and easily replaced in the event of an impact. Its unique disc drive technology uses fewer moving parts, reducing wear and ensuring reliability.

A low-headroom version, S-631-LH requires just over 22 inches of clearance above the door, allowing for retrofit into tight spaces.

This door is perfect for customer-facing applications, such as auto dealerships, parking garages, hotels, convention centers and anywhere else requiring security and reliability.

- **DISC DRIVE TECHNOLOGY**

Unique drive system keeps the door running smoothly even with hundreds of cycles per day. Minimal moving parts ensure greater reliability.

- **SECURITY**

Reinforced, high strength aluminum slats provide the ultimate in security. If impacted, individual slats can be replaced in less than 15 minutes, reducing downtime.

- **AESTHETICS**

Architecturally and visually striking aluminum slats with optional clear window slats or perforated slats for multiple appearance and circulation/ventilation options.

- **SAFETY**

A light curtain built into the side frames can detect the presence of an obstruction and reverse the door.

A wireless sensor on the door bottom automatically stops and reverses the door if it detects an obstacle.

- **SPEED**

Speed improves productivity, increases traffic flow, and lowers energy costs. The S-631 opens at 96" per second. The S-631-LH opens at 78" per second.

- **SEALING**

Highly engineered side frames prevent air, water, dust, pests or other contaminants from entering your controlled space when the door is closed.

Safe



Easy maintenance



DiscDrive

disc driven technology



inside & outside door

CONTROL SYSTEM

Reliable and easy to use, Dynaco's control system includes:

- a variable frequency drive for smooth starts and stops, reducing wear and tear
- an absolute encoder for precise positioning
- I/O for the wireless receiver and other attached systems
- an E-stop and electrical disconnect for safety
- the programmable Dynalogix controller



Individual components are simple to troubleshoot and cost-effective to replace ensuring a long operational life with minimal maintenance costs.

CHARACTERISTICS

Min. dimensions	S-631: W 4'-0" x H 8'-0" S-631-LH: W 6'-0" x H 6'-2"
Max. dimensions	S-631: W 17'-0" x H 16'-0" S-631-LH: W 20'-0" x H 10'-0"
Opening speed Closing speed	S-631: 96 inches per second S-631-LH: 78 inches per second 24 inches per second
Structure	Galvanised steel Spring covers in galvanised steel standard
Door blade	Double wall aluminium slats Optional window slats
Motor	4 poles, with parking brake - power: 1,1 kW
Control box	DYNALOGIX II door controller, fused rotary disconnect, 24 vac control transformer and variable frequency drive
Safety device	Standard light curtain integrated in the side frame. Active height = 72 inches
Bottom edge detector	Wireless DYNACO detector (WDD).
Power supply Frequency	Single phase 230 vac - 20A Three phase 208 (S-631 only), 230 vac 20A, 460 vac - 10A, and 575 vac - 6A Frequency: 50-60 Hz

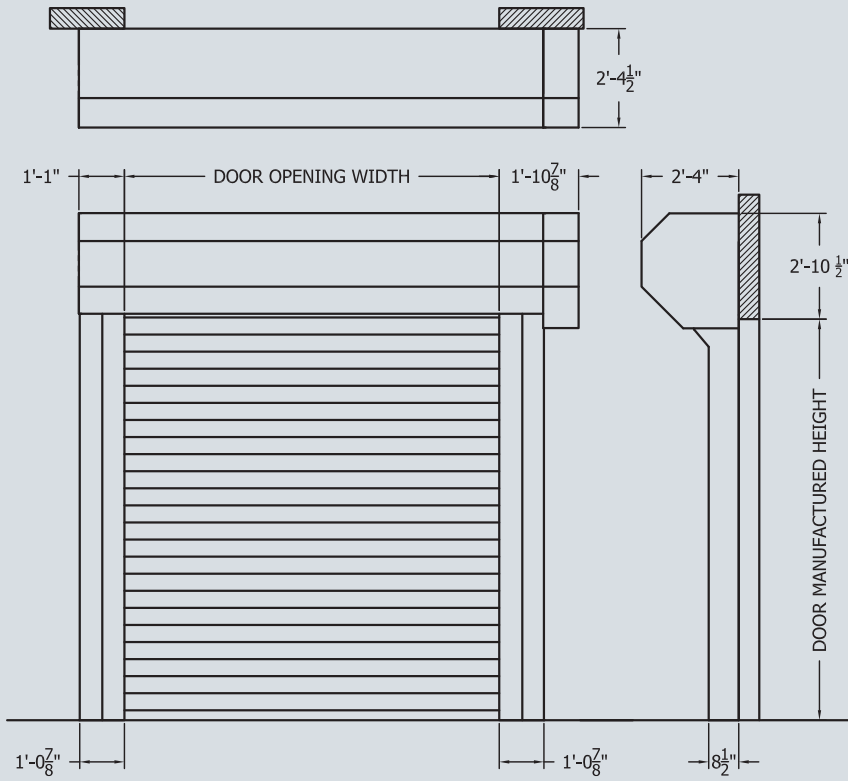
Burglar proof



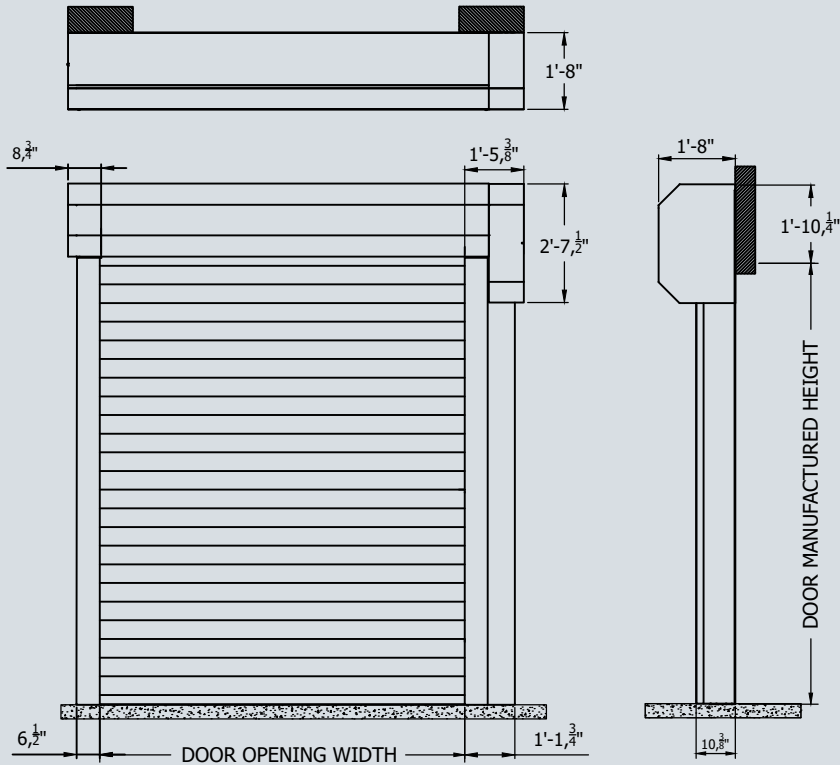
Disc Drive view



Dimensions for Dynaco S-631



Dimensions for Dynaco S-631-LH



All indicated dimensions are net: the space necessary for mounting and maintenance has to be provided. Based on a risk analysis of the environment, extra push buttons, detectors and covers might be required.

Entrematic offers a comprehensive range of products for industrial, commercial, institutional and residential applications, including sectional doors, loading dock equipment, high-performance doors, residential garage doors, pedestrian door automation and openers. Built on nearly 200 years of accumulated expertise, Entrematic is the preferred partner of distributors and the number one choice of end user customers, providing innovative products, technical expertise and a portfolio of industry-leading brands including Amarr, Kelley, Serco, Dynaco and Ditec. Entrematic, Amarr, Kelly, Serco, Normstahl, Dynaco, Ditec and EM, as words and logotypes, are examples of trademarks owned by Entrematic Group AB or companies within the Entrematic Group.

The Dynaco products are protected by worldwide registered patents. As part of its policy of continuous product development, Entrematic reserves the right to change the characteristics of its products or components without prior notice. Disclaimers: For a correct use of our products, please refer to our manual. Everything that is mentioned in this brochure is only valid under the terms of use in the user manual and on condition that the door was properly installed and maintained and has not undergone abuse nor neglect.

© Entrematic Group AB, 2016

ENTRE/MATIC

www.dynacodoor.us