



## DYNACO STAINLESS STEEL M2 HIGH PERFORMANCE DOOR

**Push-Pull**  
gear driven technology



inside door

[www.dynacodoor.us](http://www.dynacodoor.us)

# DYNACO STAINLESS STEEL M2 HIGH PERFORMANCE DOOR

DYNACO Stainless M2 doors are the perfect ingredient for food or agricultural industries. This door is very suitable for interior applications that require both top end hygiene and excellent sealing to maintain a contaminant free environment. Appreciated for its cleanliness and hygienic qualities the M2 Stainless is made to be cleaned frequently and easily.

And unlike some other stainless steel high-performance roll-up doors, DYNACO's door is a full-blown stainless steel door. Not only on the outside, but also inside the door we use high standard stainless steel components.

This door too, has the best safety system in the industry; a true soft bottom edge, infrared sensors in the side guides and a bottom edge which reverses the door instantly when it senses an object in the doorway during the closing cycle.

## ■ PATENTED DRIVE SYSTEM

"Push-Pull" technology incorporates a gear drive system, which eliminates rigid components and allows for reliable open and close under pressure.

## ■ SMALL FOOTPRINT

With a minimum amount of space taken by the door, valuable rack and wall space will be available for your core business and thus improving turning radius of material handling equipment.

## ■ TRUE STAINLESS STEEL

And unlike some other stainless steel high-performance roll-up doors, DYNACO's door is built with stainless steel side guides and covers and also with stainless steel drums, shafts and bearings. Even the screws are made of stainless steel.

## ■ SELF RE-SEATING DOOR CURTAIN

In the event of an accidental impact, the inner guide expands and allows the curtain edge to separate. With the push of a button, the curtain automatically re-inserts on the up cycle, reducing maintenance and downtime.

## ■ SAFETY ENGINEERED WITHOUT RIGID COMPONENTS

The curtain is flexible in all directions and utilizes soft edge technology. A wireless reversing edge is sealed in the bottom loop for additional safety. The soft and flexible curtain prevents accidents associated with rigid component doors. Thru-beam photo eyes are also included as standard.

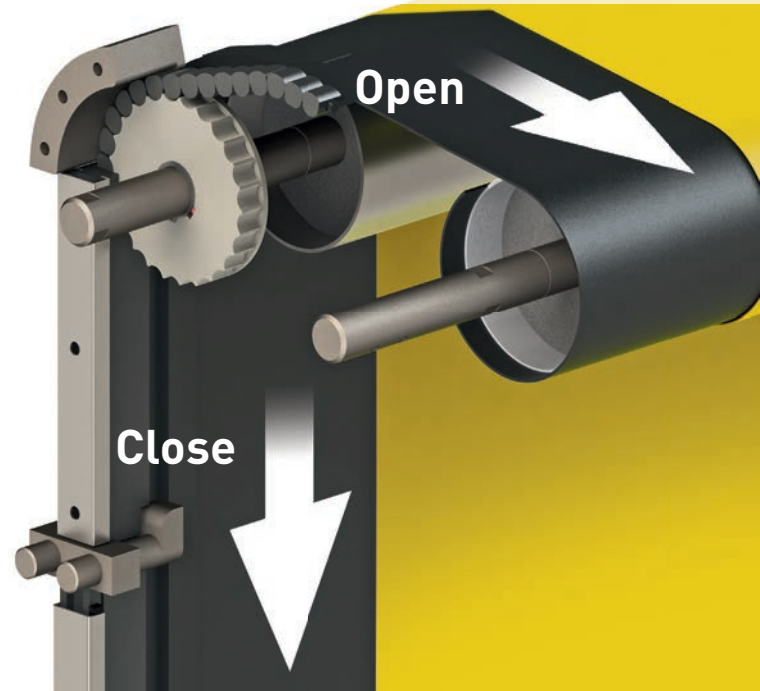
## ■ LIMITED CONTAMINATION

As an answer to the industry's requests, we have combined sealing with hygienic capacities. With a virtually perfect seal on 4 sides a leak flow limitation is a fact. Combined with a unique design, cleaning of the door becomes an easy job you can perform without a hassle.

Stainless Steel Throughout



"PUSH-PULL" Drive Technology



# Push-Pull

gear driven technology



inside door

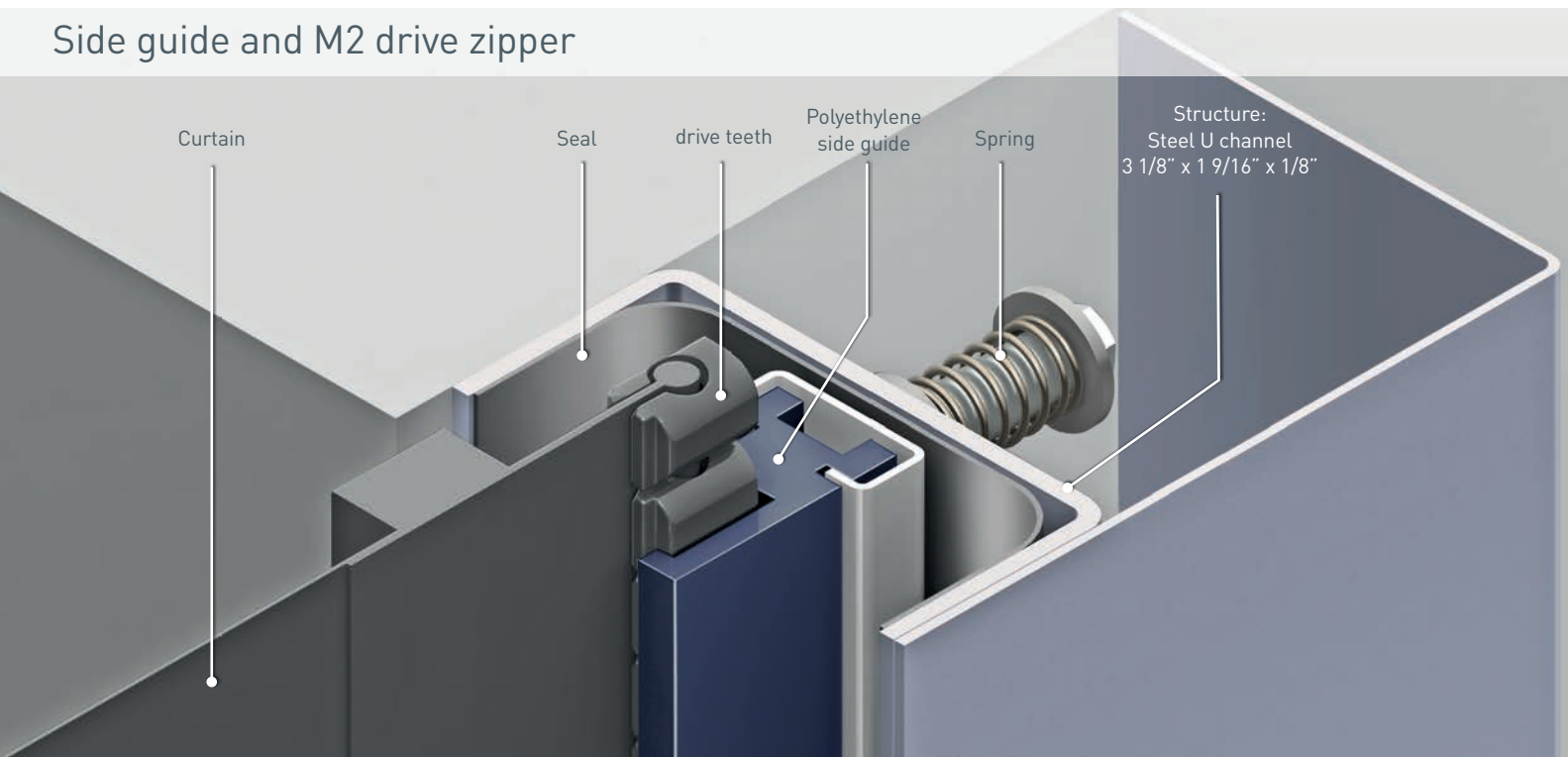
## TECHNICAL SPECIFICATIONS

<b>Door Dimensions</b>	Minimum: 6' W x 6'H Maximum: 18'W x 18'H
<b>Operating Speed</b>	Up to 96" per second open Up to 48" per second closing
<b>Safety Features</b>	Soft bottom edge design. Wireless reversing edge and built-in infrared sensor. No coil cords.
<b>Door Panel</b>	Reinforced PVC (27 oz/sq.yd). Available in different colors and provided with side sealing zippers; soft bottom edge design.
<b>Door Components</b>	Direct Drive Unit. Side frames made of structural channels of 3 1/8" x 1 5/8" x 1/8" in stainless steel. Inner side guides in Polyethylene (PE-UHMW 1000); outer section 7/8" x 1 9/16", on springs. Stainless steel side guide covers are included.

## TECHNICAL SPECIFICATIONS

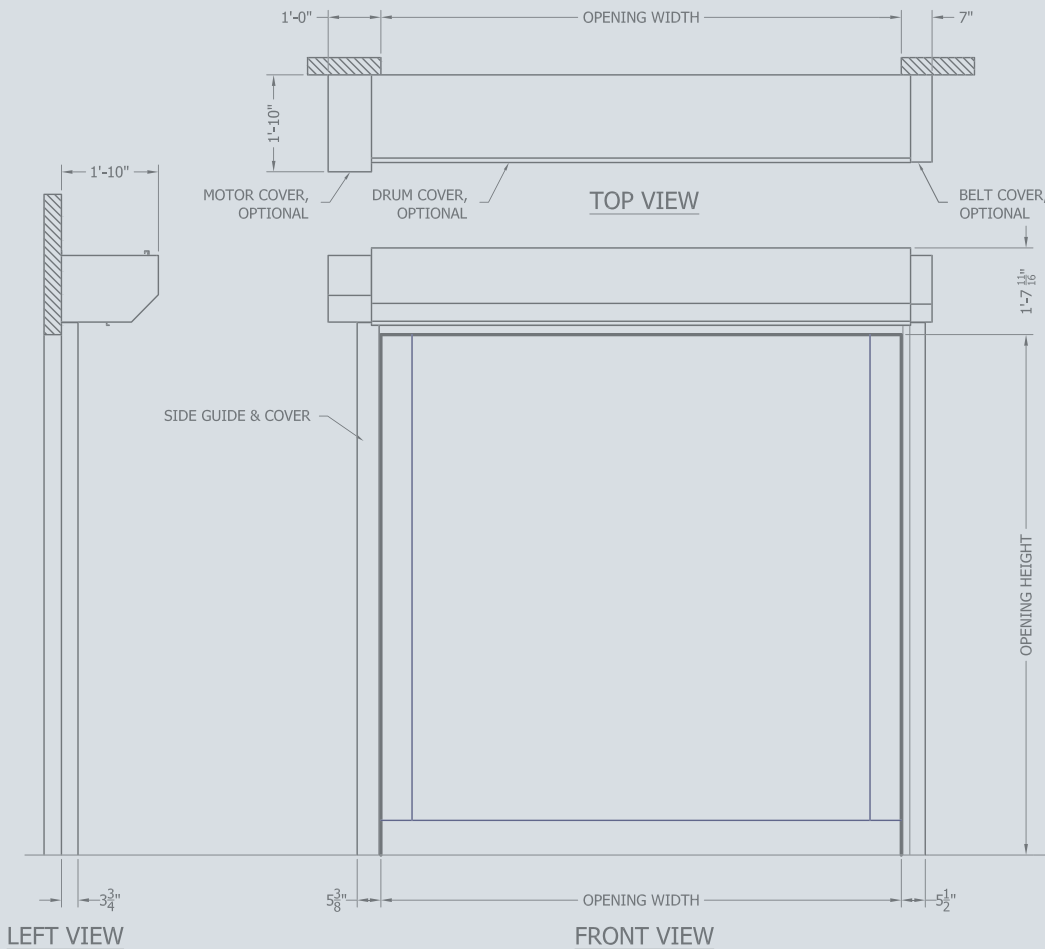
<b>Control and Drive System</b>	IP65 rated direct drive unit utilizes soft start/stop technology. UL approved control system housed in NEMA 4/12 enclosure. DYNALOGIX II controller with variable frequency drive and high resolution encoder. Power: 1 HP for a door surface up to 25 sq.yds; 2 HP (larger surface). Voltage: Standard single phase 208-230 VAC, three phase 208-230 VAC, three phase 460VAC. Optional three phase 575VAC. Frequency: 50-60Hz. Fuses provided by the customer: 10A for a motor of 1HP and 16A for 2 HP.
<b>Pressure Resistance</b>	Applications to 324 ft2 resist static pressure of 9.29lbs/sq.ft., equivalent to wind at 60mph. Smaller doors have greater pressure resistance.
<b>Warranty</b>	DYNACO M2 Stainless steel doors include an industry leading 5 year limited cycle warranty on the drive motor and 5 years on manufacturers defects. One year on balance of components.

## Side guide and M2 drive zipper



# Dimensions and installation requirements

## DYNACO STAINLESS STEEL M2 HIGH PERFORMANCE DOOR



All indicated dimensions are net: the space necessary for mounting and maintenance has to be provided.

REMARK: based on the risk analysis of the environment, extra push buttons, detectors and covers might be required.

Dynaco offers a comprehensive range of products for industrial, commercial, institutional and residential applications, including sectional doors, loading dock equipment, high-performance doors, residential garage doors, pedestrian door automation and openers. Built on nearly 200 years of accumulated expertise, Dynaco is the preferred partner of distributors and the number one choice of end user customers, providing innovative products, technical expertise and a portfolio of industry leading brands.

The Dynaco products are protected by worldwide registered patents. As part of its policy of continuous product development, Dynaco reserves the right to change the characteristics of its products or components without prior notice.  
 Disclaimers: For a correct use of our products, please refer to our manual. Everything that is mentioned in this brochure is only valid under the terms of use in the user manual and on condition that the door was properly installed and maintained and has not undergone abuse nor neglect.

© ASSA ABLOY. All rights reserved. Technical data subject to change without notice. Part of ASSA ABLOY.

935 Campus Drive Mundelein IL 60060

P: 1-800-459-1930

P: 1-847-562-4910

F: 1-800-459-1960

Email: [dynaco@dynacodoor.us](mailto:dynaco@dynacodoor.us)

[www.dynacodoor.us](http://www.dynacodoor.us)

