



Dynaco D-313 Cleanroom

**Gravity
driven**

low friction technology



inside door



Dynaco D-313 Cleanroom

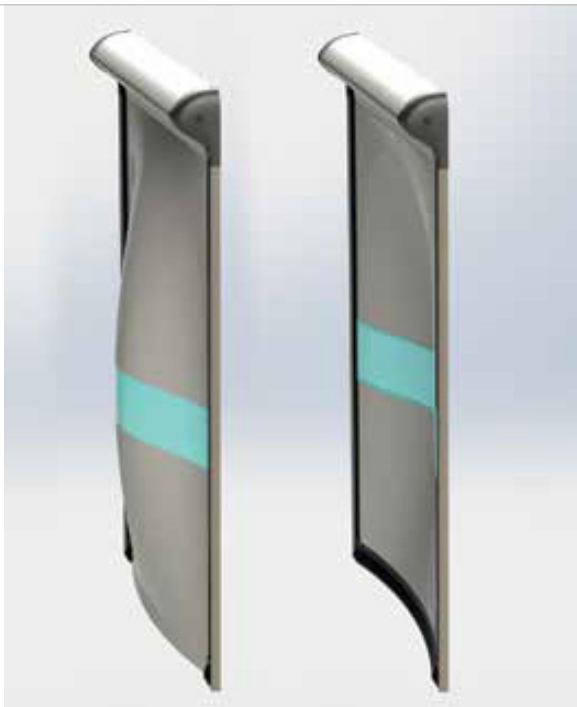
The D-313 Cleanroom Door is a certified ISO 6 high performance door solution designed for cGMP life science facilities as well as semiconductor, aerospace, advanced research, and many other miscellaneous clean environments.

Design elements include maximum user safety, low particulate generation and a tight seal to control pressure, temperature, humidity, airflow, infiltration and contamination. The D-313 Cleanroom eliminates the requirement for substantial wall or swinging space and generates little turbulence. Smooth composite covers provide an easy to clean and aesthetically pleasing appearance.

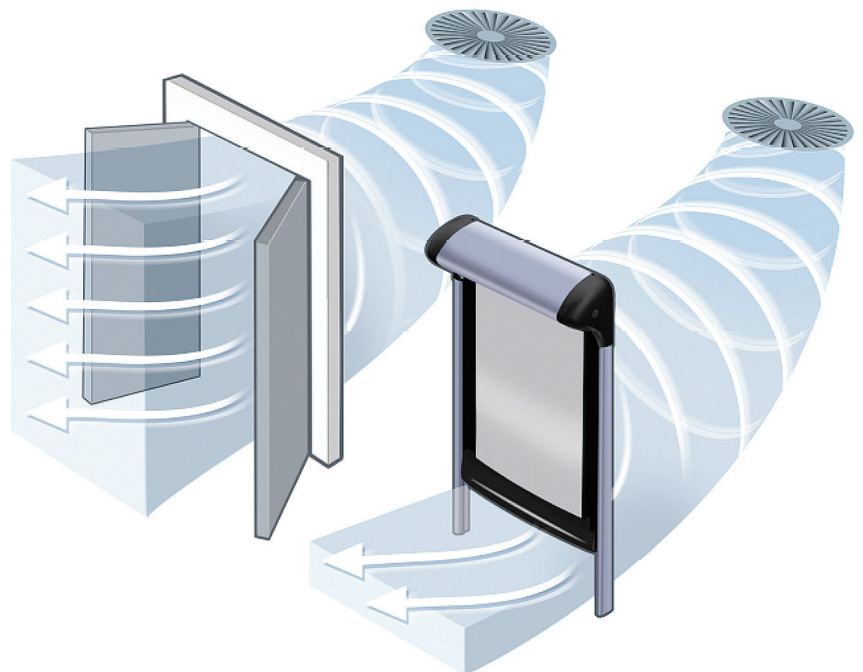
- **CERTIFIED ISO 6 COMPLIANCE:**
Independently tested to meet ISO 6 class for airborne particulate generation.
- **FLUSH, CLEAN SURFACES:**
A sleek, attractive design eliminates substantial wall clearance and projection requirements while simplifying cleaning procedures. Composite covers eliminate exposed fasteners.

- **PATENTED SEAL SYSTEMS:**
Side guides are made of galvanized or stainless steel. Inner side guides are extruded, low friction UHMW that mold around the curtain bead.
- **GREATER SAFETY:**
The door comes standard with a soft curtain free of rigid components, a wireless reversing edge and built-in infrared sensors.
- **SPEED:**
With operation speeds of up to 120" per second opening and 24" per second closing, the door provides maximum containment and separation.
- **INTEGRATED MOTOR DESIGN:**
The patented "in-tube" motor reduces lateral wall spacing. The drive system utilizes soft start/stop technology, an absolute encoder and dynamic braking with variable speed.
- **DRIVE & CONTROL:**
The DYNALOGIX II control system provides user-friendly diagnostic and programming functions, enhancing productivity and reliability.

Over / Under Pressure*



Minimizes Air Leakage





CHARACTERISTICS

Door Specifications	
Min. Dimensions	Width 3'0" height 7'0"
Max. Dimensions	Width 12'0" height 12'0"
Opening Speed	up to 120 inches / second
Closing Speed	24 inches / second
Curtain Material	27 oz. fiber reinforced PVC FDA Compliant
Vision Panels	24" square individual windows, Full width vision banners
Color Choices	Yellow RAL1003 Orange RAL2004 Red RAL3000 Blue RAL5002 Brown RAL8017 Green RAL6005 Grey RAL7038 White RAL9010 Black RAL9005

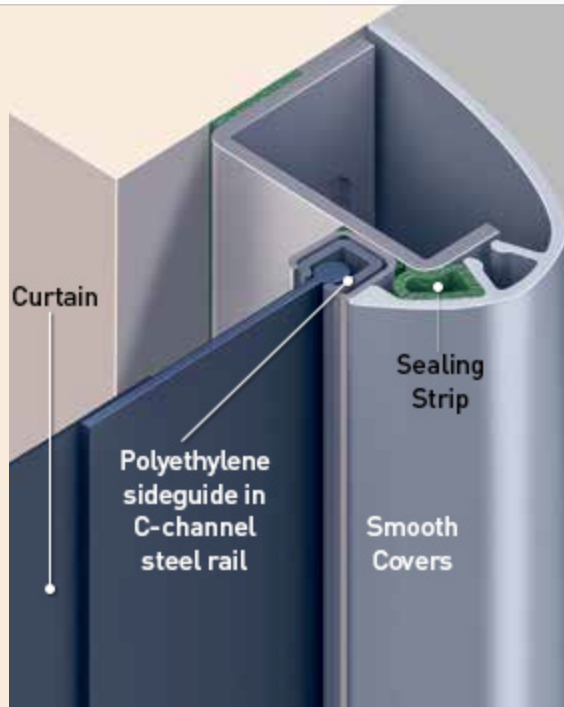
CHARACTERISTICS

Door Specifications	
Power	Single Phase: 208 - 230 VAC Three phase: 208 - 230 VAC; 460 VAC
Control Box	Includes Dynalogix II solid state control board, variable frequency drive, new DC2 encoder, LCD screen, fused rotary disconnect, E-stop button, open/close push button. Standard NEMA 4 rated enclosure, Optional NEMA 4x rated enclosure.
Motor	Direct drive. Fully enclosed "in-tube", IP55 rated.
Sensors	Wireless Detection Device in curtain bottom; photo sensors in side guides
Activation	Many activation devices and sensors available to accommodate your particular application
Wind Permeability	EN 12426 class 4 overpressure = 3m ³ air per hour per m ² of door at 50 Pa. EN 12426 class 3 underpressure = 6m ³ air per hour per m ² of door at 50 Pa. *see over/underpressure illustration

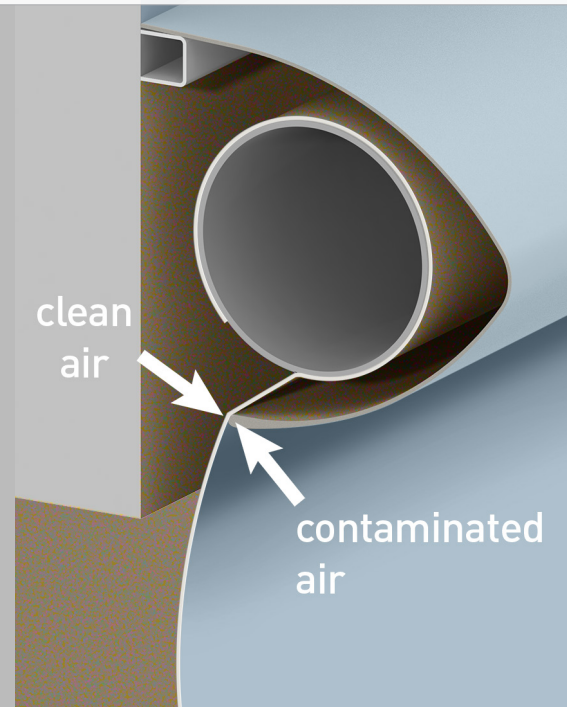
Flush Cover Seal



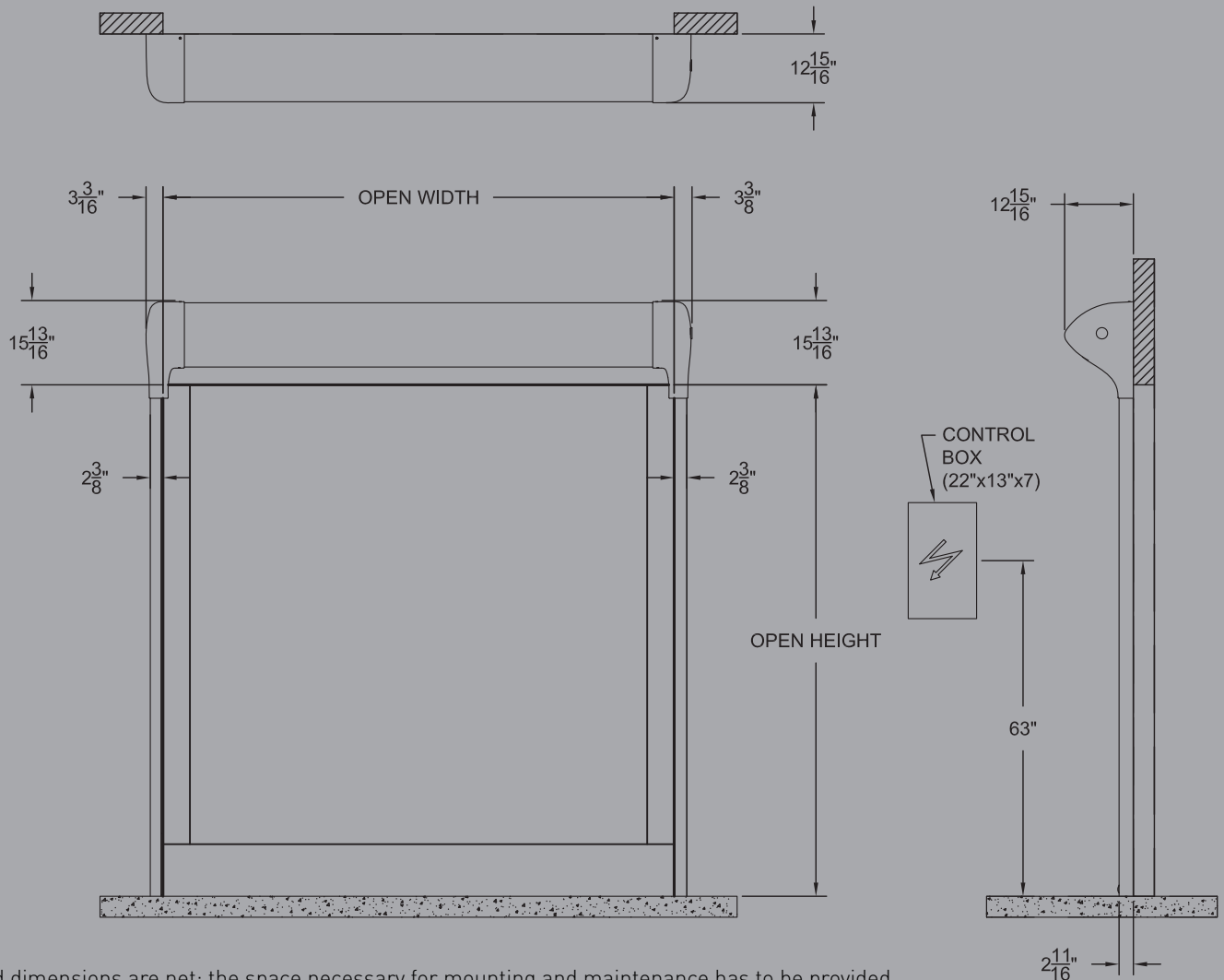
Low-Friction Side Guides



Top Lintel Seal



Dimensions and installation requirements for Dynaco D-313 Cleanroom Door



All indicated dimensions are net: the space necessary for mounting and maintenance has to be provided.

REMARK: based on the risk analysis of the environment, extra push buttons, detectors and covers might be required.

Entrematic offers a comprehensive range of products for industrial, commercial, institutional and residential applications, including sectional doors, loading dock equipment, high-performance doors, residential garage doors, pedestrian door automation and openers. Built on nearly 200 years of accumulated expertise, Entrematic is the preferred partner of distributors and the number one choice of end user customers, providing innovative products, technical expertise and a portfolio of industry-leading brands including Amarr, Kelley, Serco, Dynaco and Ditec. Entrematic, Amarr, Kelly, Serco, Normstahl, Dynaco, Ditec and EM, as words and logotypes, are examples of trademarks owned by Entrematic Group AB or companies within the Entrematic Group.

The Dynaco products are protected by worldwide registered patents. As part of its policy of continuous product development, Entrematic reserves the right to change the characteristics of its products or components without prior notice.

Disclaimers: For a correct use of our products, please refer to our manual. Everything that is mentioned in this brochure is only valid under the terms of use in the user manual and on condition that the door was properly installed and maintained and has not undergone abuse nor neglect.

© Entrematic Group AB, 2016

PS-D313CL-USA-V4.2

Entrematic

935 Campus Dr. Mundelein, IL 60060 USA

P: 1-800-459-1930; P: 1-847-562-4910

F: 1-800-459-1960

E: dynaco@dynacodoor.us

www.dynacodoor.us

ENTRE/MATIC